

Configurable, Small and Precise

Standard and Miniature Linear Guides **Cut-to-Length in 5 days**

New!



Miniature
5 Days



Block
Same Day



Rail
2 Days



Rail + Block
5 Days

Now offering miniature sizes

Get size 9 to 15 cut-to-length in 5 days

THK Linear Guides are high-quality, stainless steel and corrosion resistant

SRS9 | SRS12 | SRS15
5 Days

SRS7
2 Weeks



Need help?

Contact our specialized engineering team
buythk@misumiusa.com

- Large quantities with special pricing
- Assistance with part numbers
- General inquiries

Want to learn more?

Visit the MISUMI site for THK Linear Guides: MISUMI.INFO/THK

MISUMI provides custom cut-to-length THK Linear Guides for your specifications. Select your rail type and size then configure! Need standard blocks? MISUMI stocks a variety of standard THK blocks in the USA to provide trusted short lead times and faster shipping.

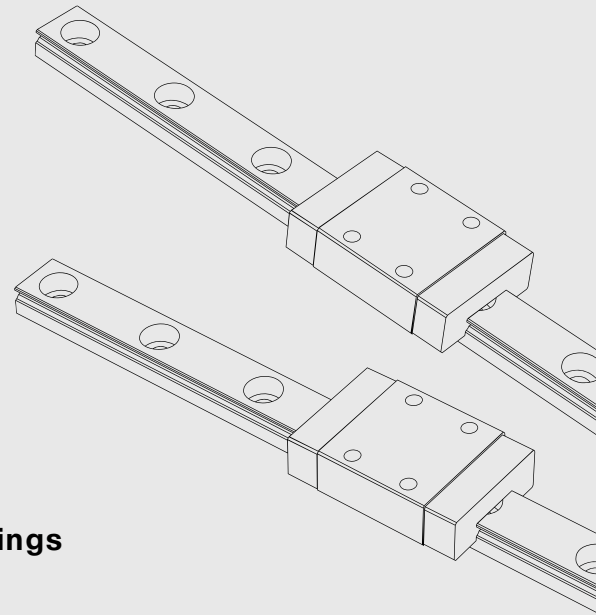
THK Rail Type Size Chart

THK Standard Rail (SHS)		THK Standard Rail (HSR)		THK Standard Rail (SR)		THK Standard Rail (SHW)		THK Standard Rail (HRW)		THK Miniature (SRS)	
SHS15	SHS35	HSR15		SR15		SHW21		HRW17		SRS9	SRS9W
SHS20	SHS45	HSR20		SR15Y		SHW27		HRW21		SRS12	SRS12W
SHS25	SHS55	HSR25		SR20		SHW35		HRW27		SRS15	SRS15W
SHS30	SHS65	HSR30		SR25Y				HRW35			
		HSR35		SR30							
		HSR45		SR35							

MISUMI is your one-stop-shop for all your THK Linear Guide needs.

MISUMI offers a variety of THK products and accessories. Find what you need for your automation projects and beyond.

- Ball Screws and Guides
- Ball Screw and Shaft Support Units
- Cross Rollers
- Lead Screws & Slide Screws
- Spline Shafts
- Linear Actuators
- Linear Ball Bushings
- Linear Guides and Shafts
- Linear Slide Assemblies



For product code assistance: 800-681-7475

Visit the MISUMI site for THK Linear Guides: [MISUMI.INFO/THK](https://www.misumi.info/thk)